



CONDENSE CANOPY

OZ99

USER MANUAL

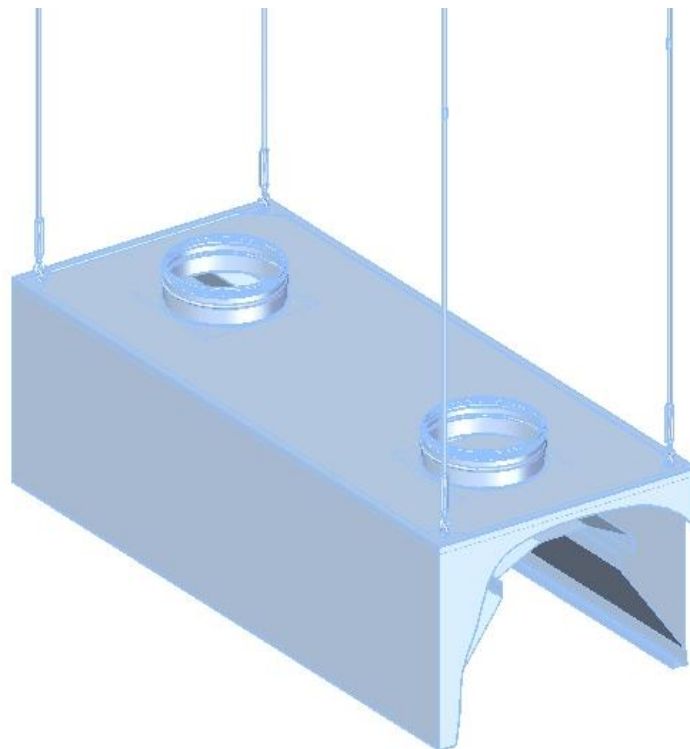


TABLE OF CONTENTS

1.	Technical instructions	3
2.	Execution	3
3.	Equipment	3
4.	Operating principles	4
5.	Construction and dimensions	4
6.	Installation.....	6
7.	Operation and cleaning	8
8.	Work safety instructions	8
9.	Transport	8
10.	Repairs	9
11.	Electrical system	9
12.	Related documents	9

Before using the device please get acquainted with the present documentation thoroughly (it should be kept for further access).



Producer does not bear responsibility for damages / malfunctions resulting from inappropriate usage or disregarding the documentation.

Failing to abide by the recommendations in the present documentation might influence safe usage of the appliance and leads to guaranty loss.

1. TECHNICAL INSTRUCTIONS

Condense canopy OZ99 has been designed to condense and remove steam produced by industrial dishwashers, boiling pans and kitchen equipment not producing grease.

Since kitchen equipment generates large quantities of heat in the kitchens it should be placed under canopy.

2. EXECUTION

Canopies are made of 1 mm thick stainless steel AISI304 spot welded-welded, and riveted.

Canopies of length up to 2900 mm are made as one segment.

Canopies of length more than 2900 mm are made of two or more segments.

The canopy may be divided into segments/modules according to customer's wish provided the suggested division is in accordance with technological process.

3. EQUIPMENT

Standard canopies are equipped with:

- condensate channel system
- drain ball valve 1/2"
- threaded hanging rods AW023

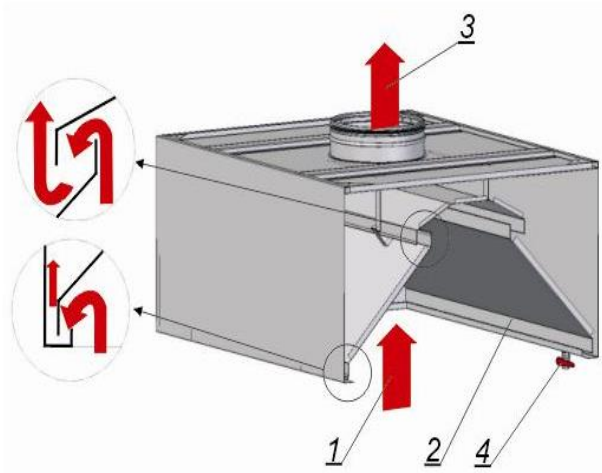
Optional equipment:*

- lighting - suspended to canopy ceiling
- drip tray to drain liquefied impurities
- covers - if the canopy is fixed below the ceiling line
- air ducts of untypical dimensions and position

* Configuration depends on many factors and needs to be confirmed in terms of the possibility of combining them and uses.

4. OPERATING PRINCIPLES

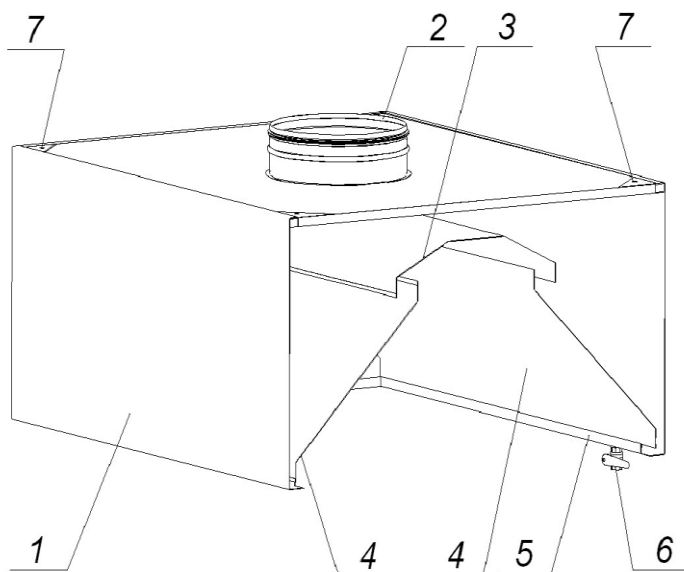
4.1. MECHANICAL FILTRATION



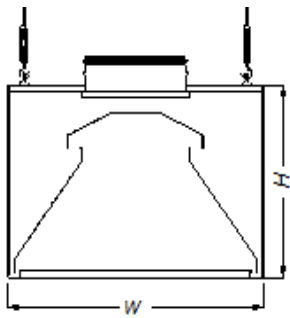
A stream of steam above kitchen appliances (1) flows through the slots between baffles (2) and is removed to ventilation channel (3). The steam is condensed while flowing through the slots. The condensate water flows to drip tray or to drain ball valve (4).

5. CONSTRUCTION AND DIMENSIONS

5.1. CONDENSE CANOPY OZ99



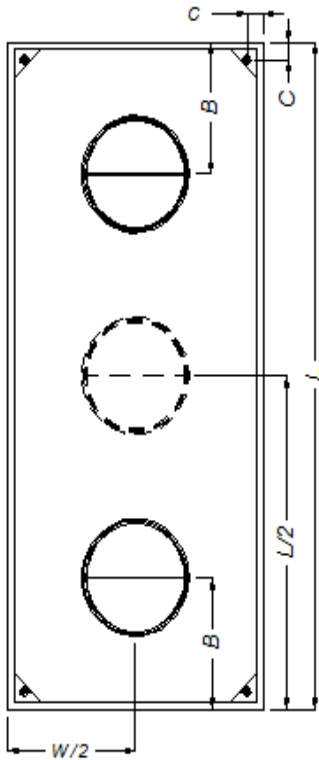
1. Body of the canopy
2. Air duct with throttle
3. Upper baffle
4. Side baffles
5. Condensate channel
6. Drain with ball valve or drip tray (optional)
7. Mounting brackets



Dimensions

L	1000-2900 [mm]
H	400, 550 [mm]
W	800 - 1400 [mm]
∅D	315 [mm]
C	50 [mm]

Canopies of length up to 2900 mm are made as one - segment. Canopies of length over 2900 mm are assembled of two or more individual segments.



Arrangement of connections

L [mm]	A [mm]	B [mm]	Number of air ducts
1000 - 1500	W/2	L/2	1
1600 - 2000	W/2	375	2
2100 - 2900	W/2	500	2

Condense canopy – approximate weight [kg]

H [mm]= 400 (550)

length [mm]	width [mm]				
	1000	1100	1200	1300	1400
1000	41 (46)	44 (49)	46 (52)	49 (54)	51 (57)
1100	44 (49)	46 (52)	49 (54)	51 (57)	56 (61)
1200	47 (52)	49 (54)	51 (57)	56 (61)	60 (65)
1300	49 (54)	51 (57)	56 (61)	60 (65)	63 (69)
1400	53 (58)	56 (62)	60 (65)	62 (69)	66 (72)
1500	55 (62)	59 (65)	62 (69)	66 (73)	69 (76)
1600	59 (66)	63 (70)	67 (73)	70 (77)	74 (81)
1700	62 (70)	67 (73)	70 (77)	74 (81)	77 (85)
1800	65 (72)	69 (76)	73 (80)	77 (84)	81 (89)
1900	68 (75)	72 (79)	76 (84)	80 (88)	84 (92)
2000	71 (78)	75 (83)	79 (87)	84 (92)	88 (96)
2100	74 (81)	78 (86)	83 (91)	87 (95)	91 (100)
2200	77 (85)	81 (89)	86 (94)	90 (99)	95 (104)
2300	80 (88)	84 (93)	89 (98)	94 (102)	98 (107)
2400	83 (91)	87 (96)	92 (101)	97 (106)	102 (111)
2500	85 (94)	90 (99)	95 (104)	100 (110)	105 (115)
2600	88 (97)	94 (102)	99 (108)	104 (113)	109 (119)
2700	91 (100)	97 (106)	102 (111)	107 (117)	113 (122)
2800	94 (103)	100 (109)	105 (115)	111 (121)	114 (126)
2900	97 (106)	103 (112)	108 (118)	114 (124)	120 (130)



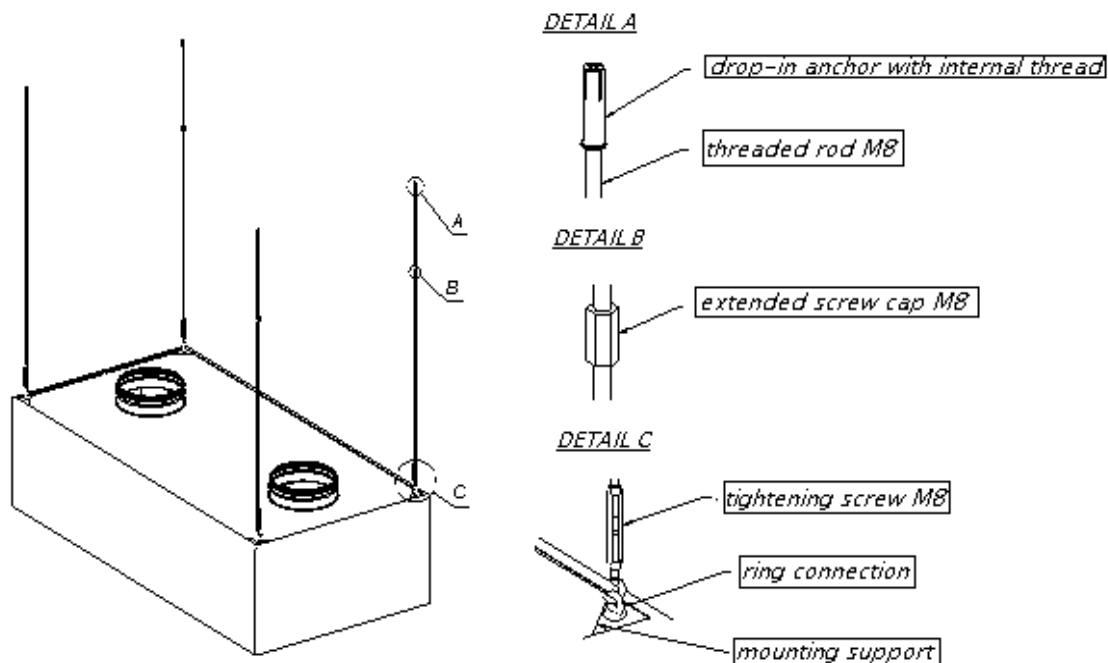
If the buyer does not provide information about location, number and size of air ducts, the canopy is equipped in accordance with the guidelines provided in the above figures.

Location of air ducts applies to canopies without a fan. Regulating throttles are attached to air ducts, which allows air flow control in the range of 50–100 %.

6. INSTALLATION

Canopies shall be suspended to ceiling with hanging rods.

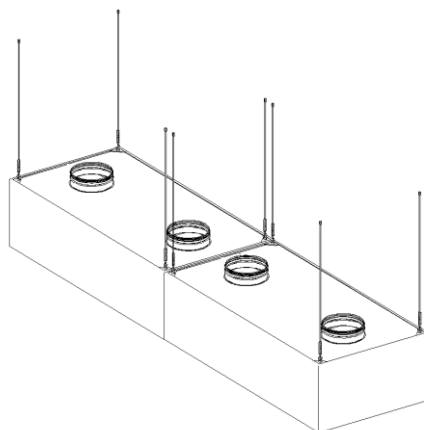
The standard hanging rod consists of tightening screw ended with M8 2000 mm long threaded hook. In case where it is necessary to use longer hanging rods apply additional threaded rods assembled with extended screw cap M8 threaded rods should be installed in the ceiling with anchors.



Due to efficiency and ergonomics, it is recommended to install canopies at height of 2000–2100 mm from the floor.

Properly designed and installed canopy should extend at least 250 mm beyond kitchen units beneath it. If the device standing under the canopy has hinged door, the canopy protrusion beyond the device should be at least 400 mm from the door.

In case where the canopy consists of several modules, they should be suspended, levelled and then fastened to each other by means of screws.



Then, one should:

- connect to power supply (if there is lighting),
- connect canopy to ventilation duct,

Manufacturer does not bear any responsibility for damages resulting from inappropriate installation, thus installation should be done by trained professionals.

It is recommended not to remove protective film until the entire installation is completed and the system is ready for operation.

7. OPERATION AND CLEANING

Daily service of the canopy is limited to proper operation and cleaning.

Therefore, one shall:

- remove accumulated condensate by opening the drain valve ½" daily
- clean the casing and baffles of the canopy
- clean lighting (according to separate user manual)

7.1. CLEANING AND MAINTENANCE



It is not allowed to use for cleaning the device abrasive, corrosive or based on chlorine agents that could scratch or even damage the surface. In case of contact above agents with stainless steel surface wipe it immediately and thoroughly wash it with water and detergent solution.

Cleaning instructions:

1. disconnect the device from the mains,
2. wash thoroughly with warm water and cleaning detergent, wipe dry with a clean cloth.
3. to clean stainless steel surfaces use preparation for this type of surface.

Instructions concerning optional equipment (lighting) cleaning are included in separate user manual.

8. WORK SAFETY INSTRUCTIONS

Proper exploitation of the appliance is of key importance for its durability and significantly affects its reliability. The following instructions will help keeping the appliance in appropriate condition for many years: The employees shall be acquainted with regulations related to usage of electric appliances, work safety, first aid in emergency, fire safety and practical rules related to proper usage.

In addition:

1. It is forbidden to connect the appliance to the mains which was not previously checked for proper shock protection.
2. It is forbidden to wash, clean and repair any device connected to the mains..
3. All repairs shall be done only by authorized persons. Use only original parts or recommended by the producer.
4. Producer does not bear responsibility for damages/ breakdowns which result from improper usage of the appliance or disregarding this documentation.

9. TRANSPORT

1. The device leaves producer warehouse properly packed.
2. The device should be transported in the position of working..
3. Transport should be done using covered means of transport..
4. The equipment should be protected against moving, strong shocks and mechanical damage..
5. Loading and carrying the equipment (or any other manipulation of goods) should be done using adequate devices.
6. After delivery of the appliance check whether the delivered product has got any visible signs of mechanical damage.
7. Any damage noticed should be immediately reported to the forwarder according to forwarder procedure. Write down all noticed damage on the bill of lading.
8. Gort does not bear any responsibility for damage due to improper storage outside the company and transporting to the final user by any other company.

10. REPAIRS



All repairs should be done by the authorized service..

In case of device failure, please contact with Gort Export Department: export@gort.pl

Any malfunctions should be reported to the Seller in writing. The report should contain the appliance's type/model, it's serial number and the description of malfunction as well as the name and address of the site where the appliance is installed. The contact details of reporting person should also be attached. Manufacturer reserves the right to make changes and improvements in the appliance and it's technical specification without notice.

It is recommended to make a periodical check-up once a year. This check-up includes activities connected with defining the level of wear and tear or damage of certain elements.

11. ELECTRICAL SYSTEM

In standard, condense canopies OZ99 are produced without lighting installation.

Upon customer's request, the canopy may be equipped with:

- lighting luminaire suspended to canopy ceiling
- hermetic switch

Details related to electrical equipment are included in a separate user manual.

12. RELATED DOCUMENTS

- Electrical installations in canopies
- Lighting

Copyrights

Gort has rights to change any information included in this document without informing the user. Any part of this document cannot be reproduced or published in any form or by any means without the prior written permission of GORT as well as legal owner of the document.

Copyrights © 2018 reserved.